

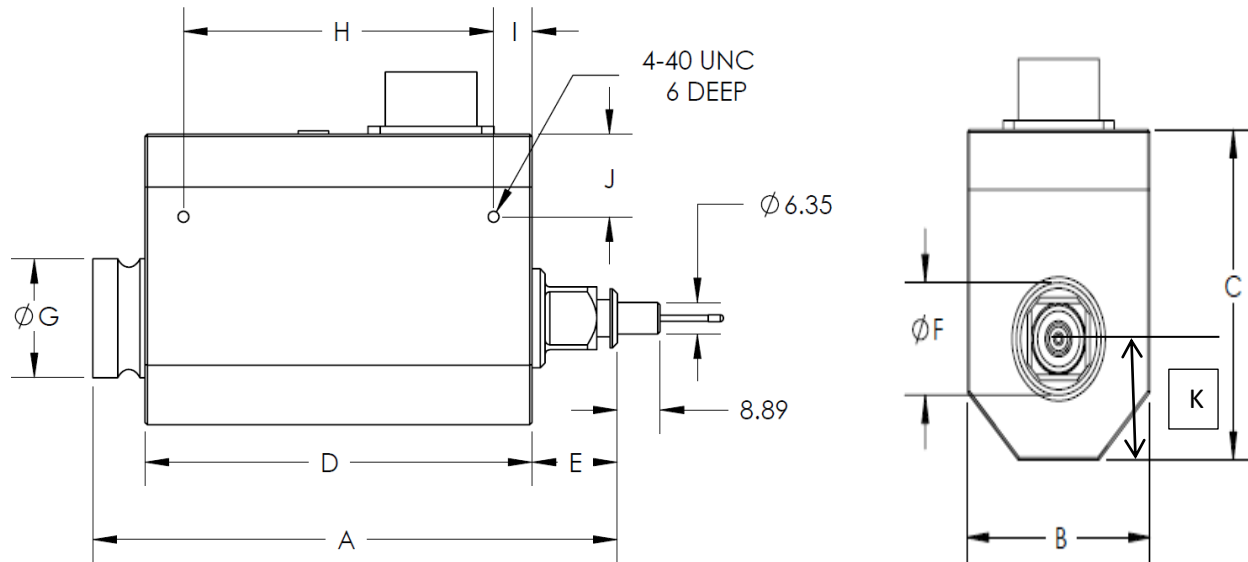
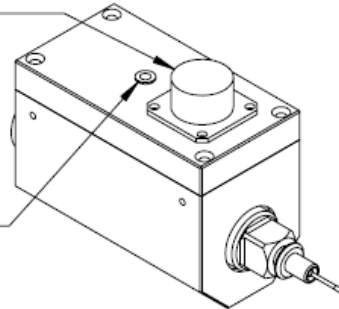
ROTARY TORQUE/ANGLE SENSOR WITH ULTRASONIC PICKUP

PIN A	+POWER	PIN F	ANGLE PWR
PIN B	-POWER	PIN G	ANGLE SIG CW
PIN C	+SIGNAL	PIN H	ANGLE SIG CCW
PIN D	-SIGNAL	PIN J	SENSE GND
PIN E	ANGLE GND	PIN K	SENSE +V

TORQUE/ANGLE CONN.
(BENDIX PT02A-21-10S)



ULTRASONIC CONN.
(MCX)



PART #	DRIVE	CAPACITY	A	B	C	D	E	F	G	H	I	J	K
TAU 50	1/2"	160	109	43	58.7	80.5	17.7	20	24	64.45	8	16.7	23.5
TAU 75	3/4"	500	110	53	67	79.5	22.5	25	34	65.5	7	18	26.5
TAU 100	1"	1000	128	64	78	83.3	28.8	35	43	67.3	8	13	43

OPTIONAL EXTENSION

