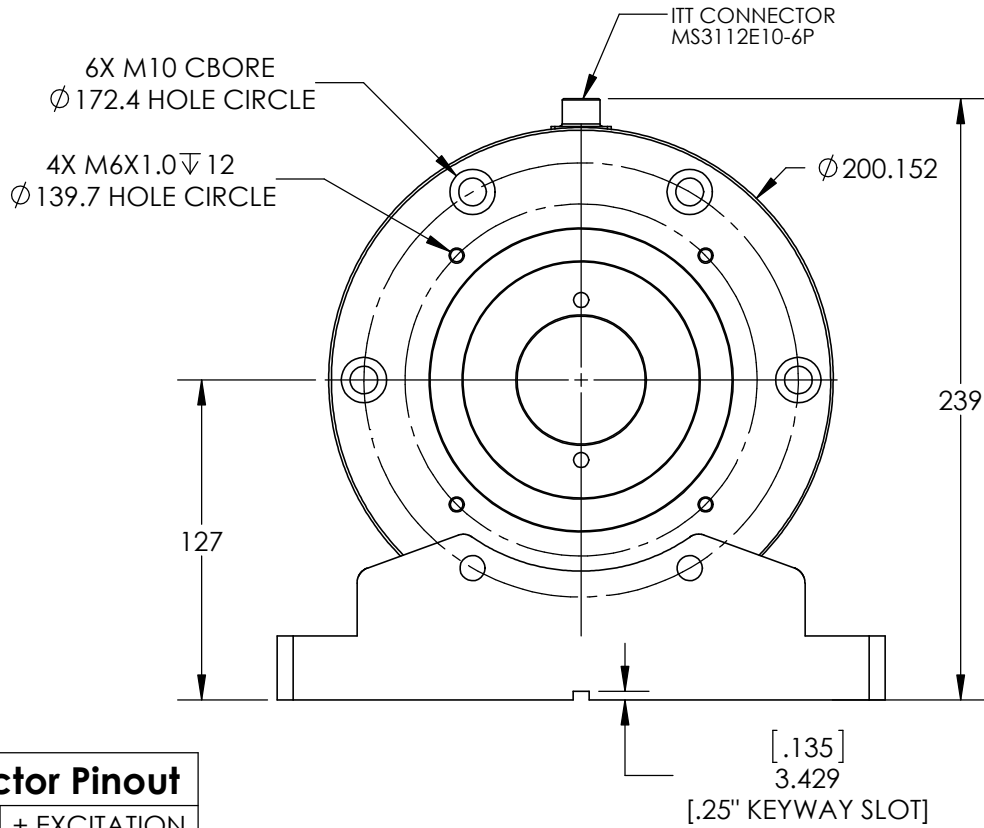


DETAILS FOR TENSION LOAD CELLS



| Connector Pinout | |
|------------------|--------------|
| A | + EXCITATION |
| B | - EXCITATION |
| C | + SIGNAL |
| D | - SIGNAL |

