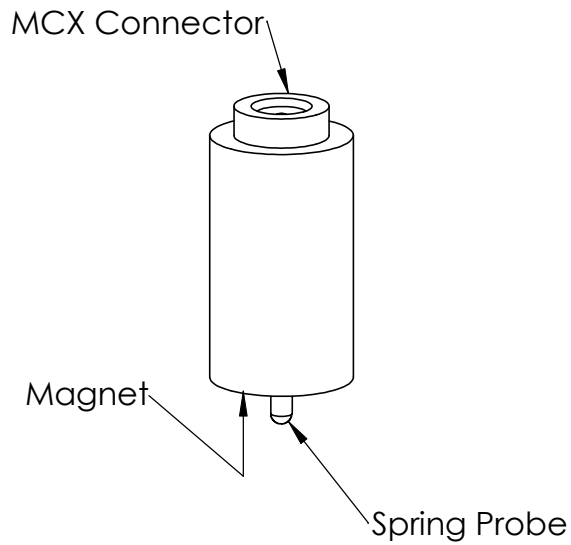
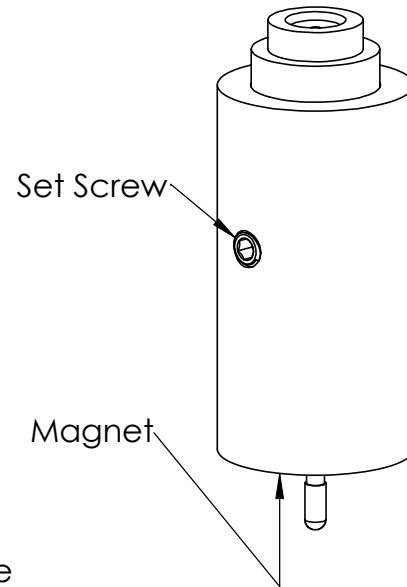


Static Ultrasonic Pickup Units

1 - External Ultrasonic Pickup Unit



2 - Small Internal Pickup Unit



3 - Large Internal Pickup Unit

