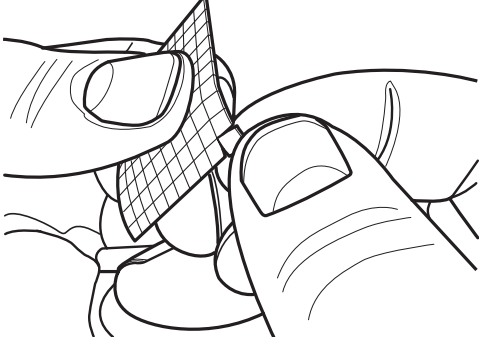
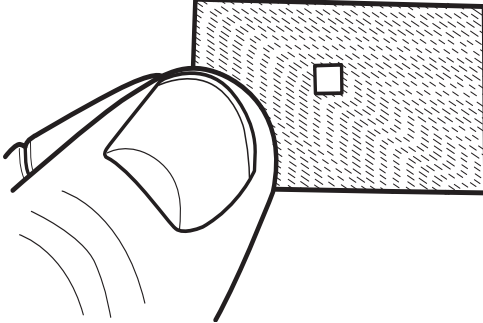
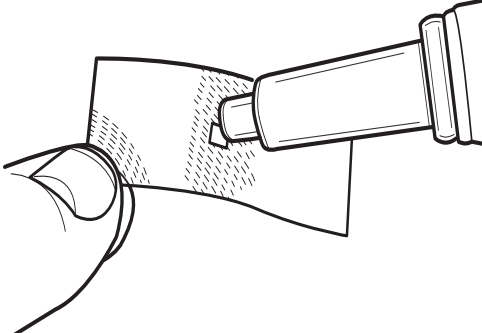
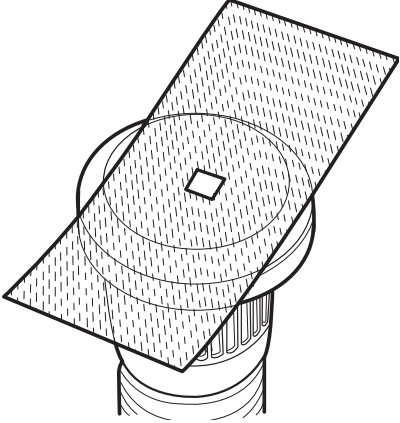
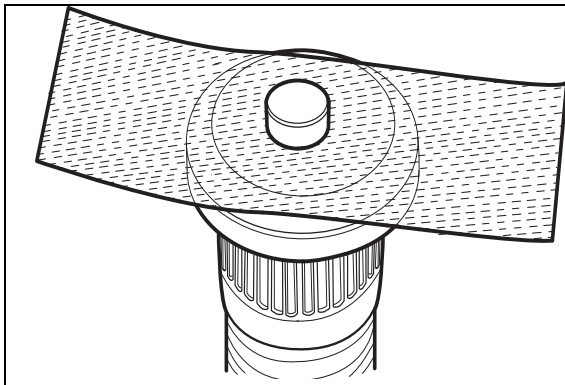


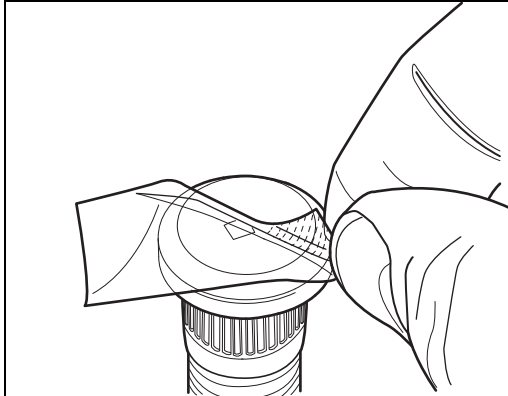
UTensor II Installation

Before installation: The face of the bolt that the sensor is to be mounted on should be ground to a surface finish of approximately N7, and the opposite end should be ground parallel to the face within 0.5 degrees.

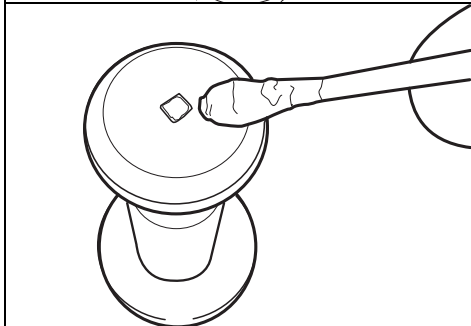
	<p>1- Carefully peel a UTensor II wafer off of the vinyl backing, being sure that it is completely clear of foreign matter.</p>
	<p>2- Place the UTensor II in the middle of the adhesive side of piece of tape.</p>
	<p>3- Apply a small amount of Loctite 680 to the sensor.</p>
	<p>4- Attach the sensor to the approximate center of the bolt head, adhesive down.</p>



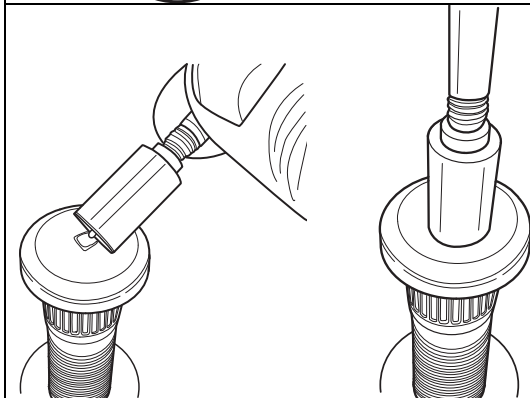
5- Place a super magnet on the tape to supply constant pressure for adhesive curing.



6- After the adhesive has finished curing, remove the magnet and peel off the tape.



7- You can clean off excessive adhesive with a cotton swab and acetone.



8- Place the Magnetic pick-up unit on top of the UTensor II to transmit and receive pulses from the bolt.