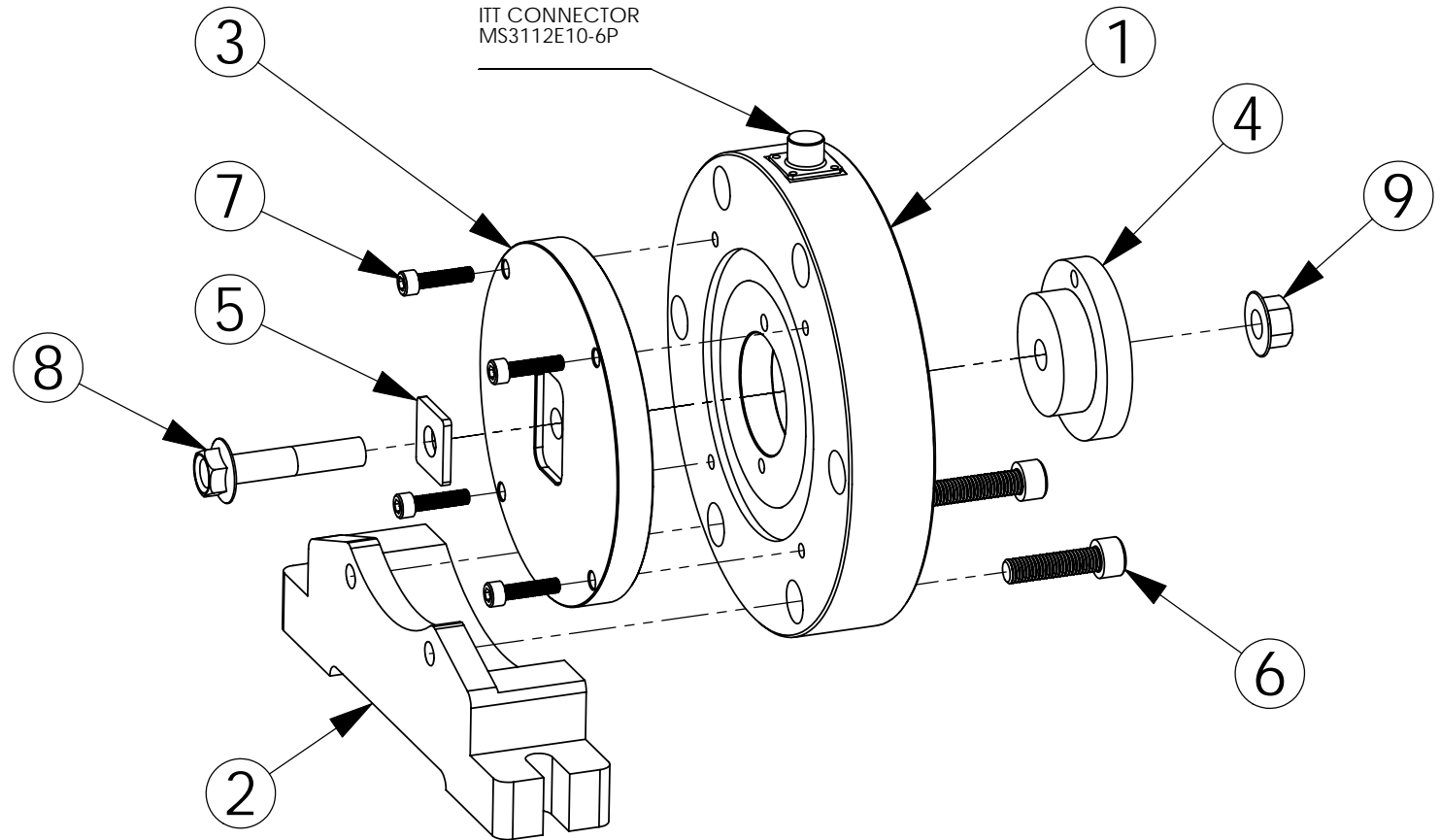


Bolt Tension Load Cell

1	LOAD CELL
2	BASE
3	FACEPLATE
4	BUSHING
5	SQUARE COUPON
6	FACEPLATE BOLTS
7	MOUNTING BOLTS
8	BOLT UNDER TEST
9	NUT UNDER TEST

Connector Pinout	
A	+ EXCITATION
B	- EXCITATION
C	+ SIGNAL
D	- SIGNAL

Model #	Capacity
BTL100	100 kN
BTL300	300 kN



ITT CONNECTOR
MS3112E10-6P

- FACEPLATES AND BUSHINGS UNIQUE TO BOLT SIZE.
MUST BE ORDERED SEPARATELY PER SIZE.

- TYP GRIP LENGTH: 31MM