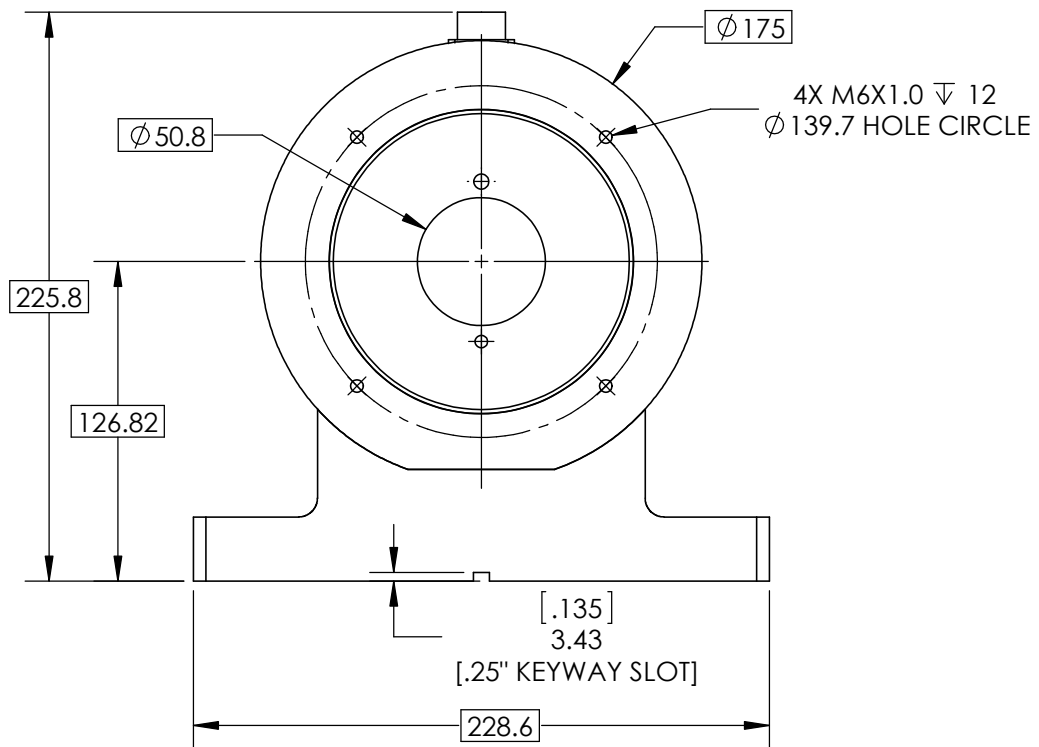
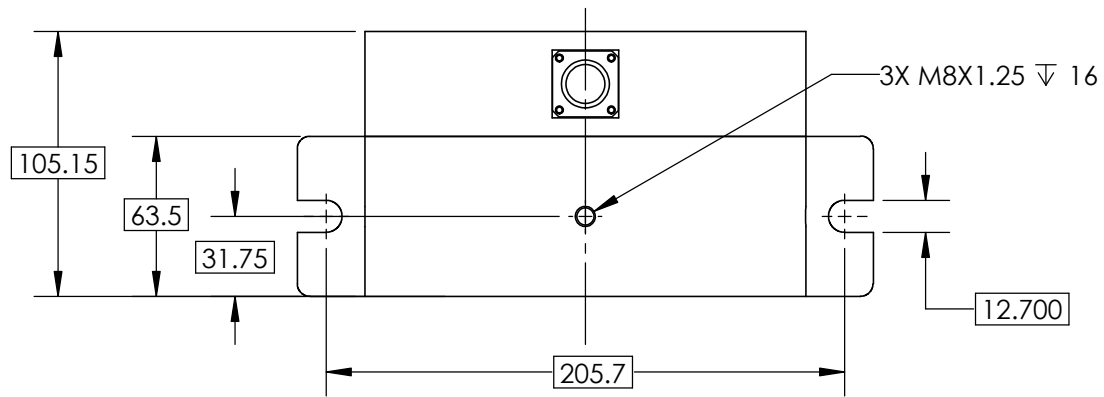
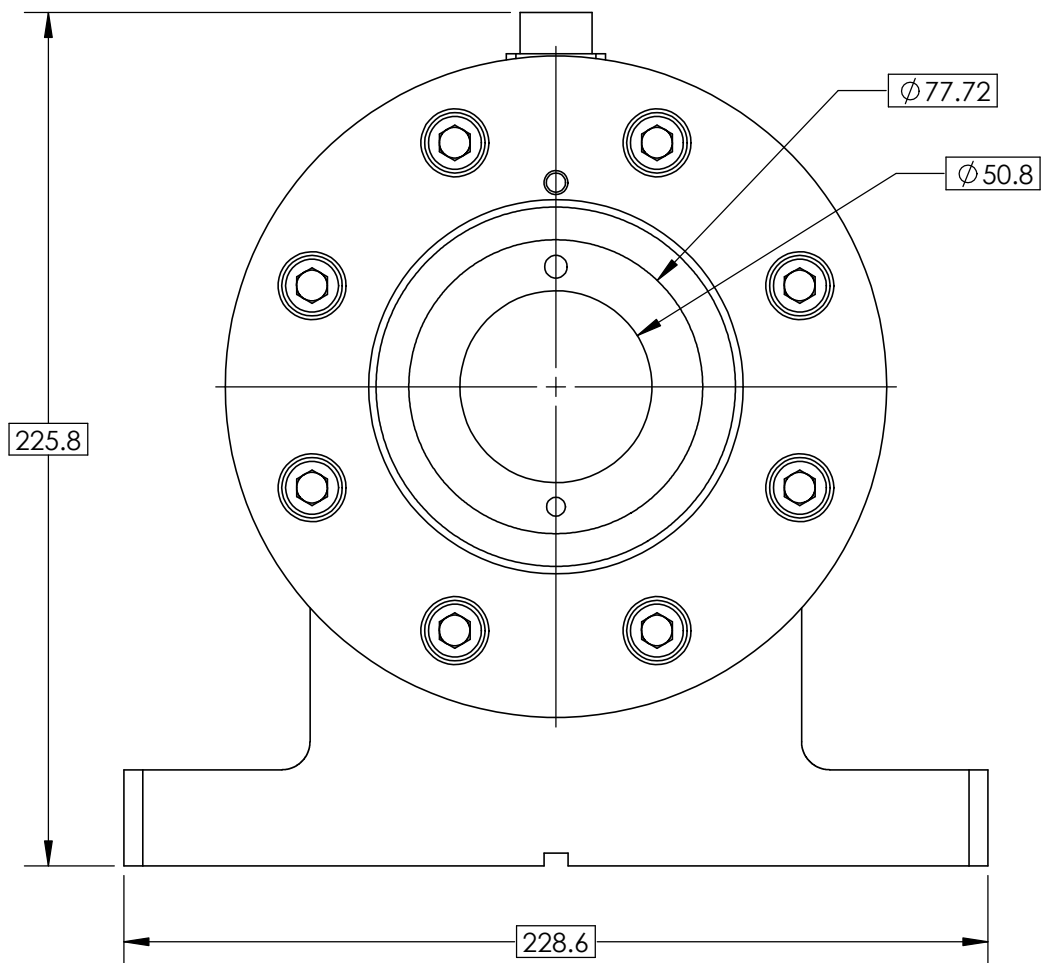


DETAILS FOR TORQUE-TENSION LOAD CELLS



DETAILS FOR TORQUE-TENSION LOAD CELLS



REVERSE SIDE