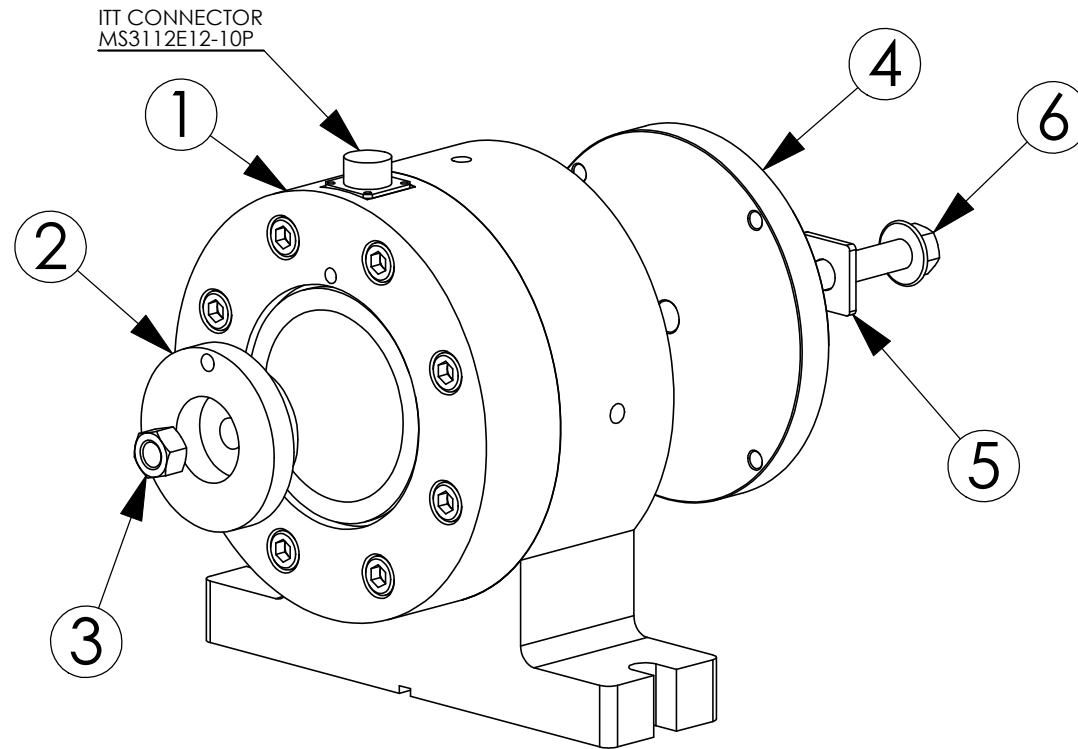


## TORQUE-TENSION LOAD CELL

1	Load Cell
2	Bushing
3	Nut
4	Plate
5	Square Washer
6	Bolt

Connector Pinout	
A	Tension + Excitation
B	Tension - Excitation
C	Tension + Signal
D	Tension - Signal
E	Torque + Excitation
F	Torque - Excitation
G	Torque + Signal
J	Torque - Signal
K	ID
H	Ground



### Features:

- Two ranges of Torque-Tension measurement
  - 100kN/150Nm
  - 300kN 450Nm
- Slotted base mounting holes for ease of securing
- Compatible with iPitch Fastener Test System
  - 1/4" keyway slot for alignment
- Dimensions (LxWxH): 106mm x 230mm x 226mm

### Accessories:

- Compatible with Skidmore-Wilhelm style plates and washers
  - Most forms and sizes available for order
  - Plates and Bushings unique to bolt size
- Recessed nut-holding bushing required for thread-torque measurements
- Plates include recess for square washers for testing properties of materials and surfaces