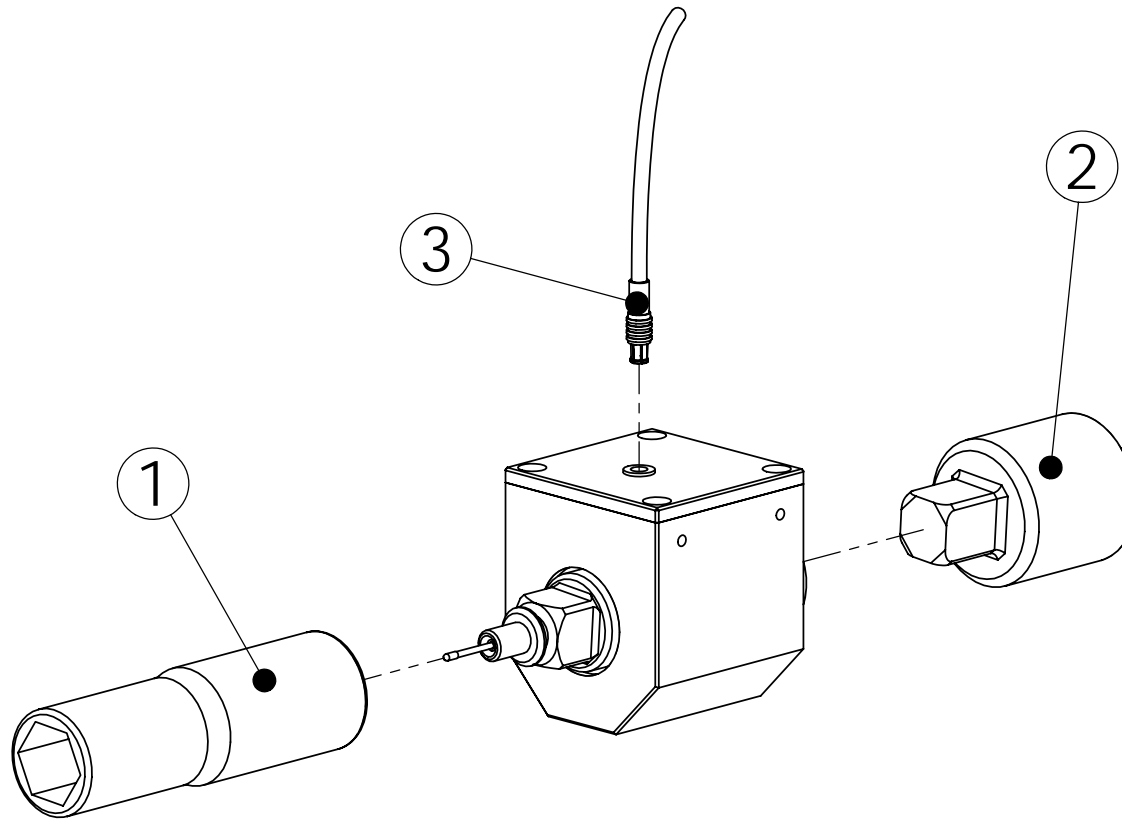


Rotary Ultrasonic Pickup Usage Guide



Step 1) Insert front square drive of pickup into an electrically conductive socket. Ensure probe is not damaged during procedure.

Step 2) Install rotary pickup onto nut runner.

Step 3) Plug MCX connector into socket on the top of rotary pickup unit and connect to MC900 box.